

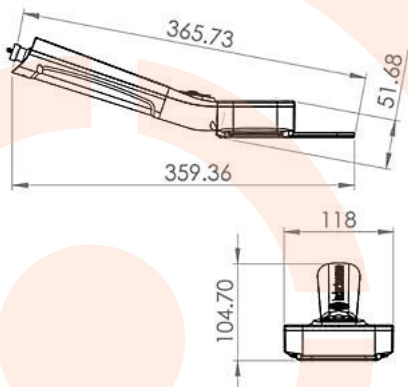
WAND

Handheld device which wirelessly provides power and then collects a signal from the TMS Sensor when in close proximity. The WAND data collector is equipped with an ultrasonic A-scan interface, which also displays wall thickness and sensor RFID information. The WAND is designed so that anyone can take an ultrasonic thickness measurement in the field, with the simple press of a button.



Specifications

Product code	WAND-DC
Weight	600g
Power supply	12V
Battery type	Li-ion
Data output	Lemo connector to USB
Signal acquisition time	<1 second
IP rating	IP54
Thickness calculation	First arrival and peak-to-peak
RFID reader	EU or US detection of sensor tags
Certifications	CE and FCC
Included items	Windows tablet with preinstalled Inductosense Data Output (IDOT) software Testing block with sensor User ID cards Power charger with cable Data loading cable Protective peli-case Operating manual



Inductosense Ltd.
Unit 3, Kings Business Park,
Feeder Road, St Philips,
Bristol, BS2 0TZ
United Kingdom

T: +44 (0) 117 403 4047
E: info@inductosense.com
W: www.inductosense.com

Inductosense Ltd is registered in England and Wales with registered number 09689612 and VAT registered number 227006245